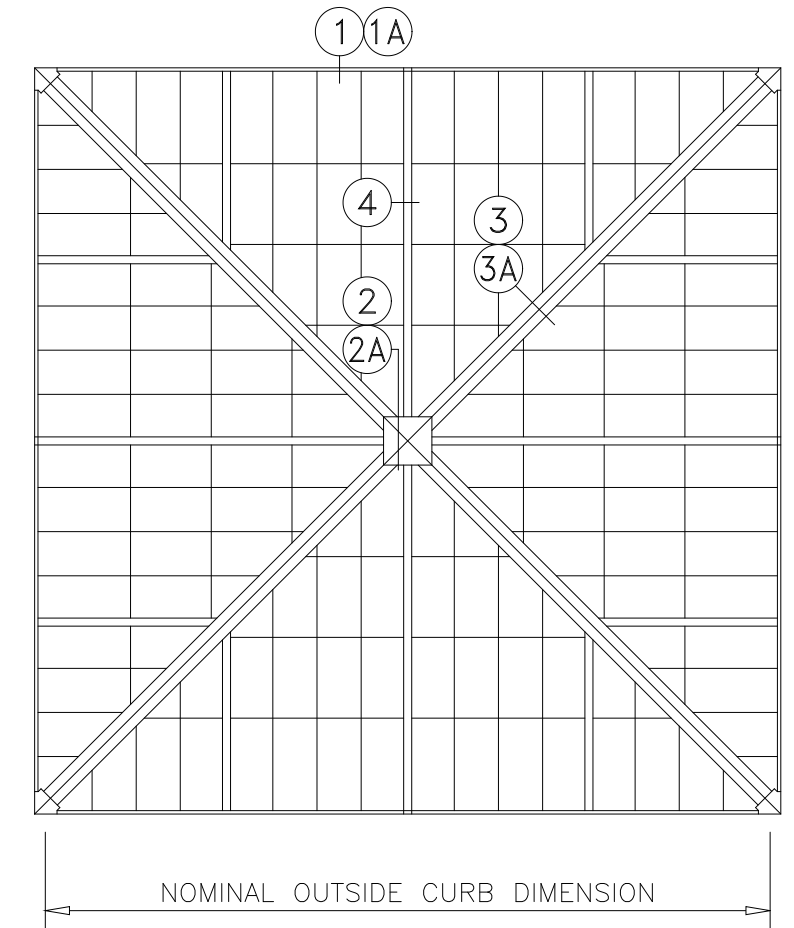
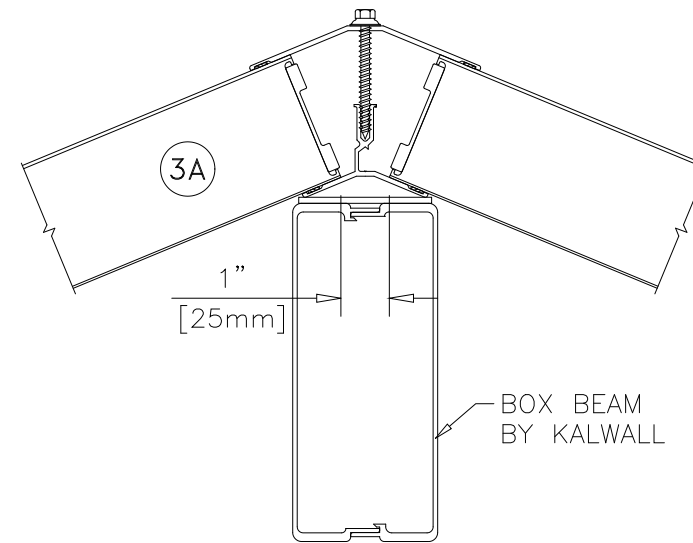
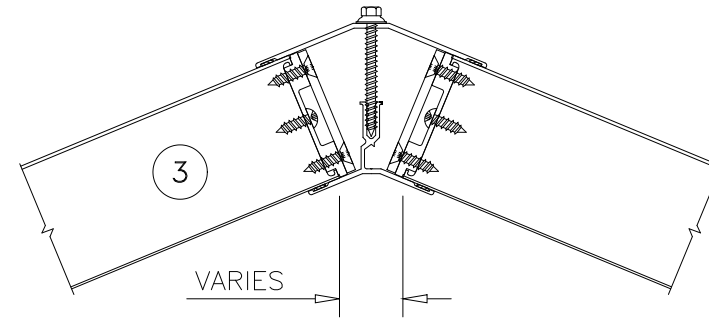
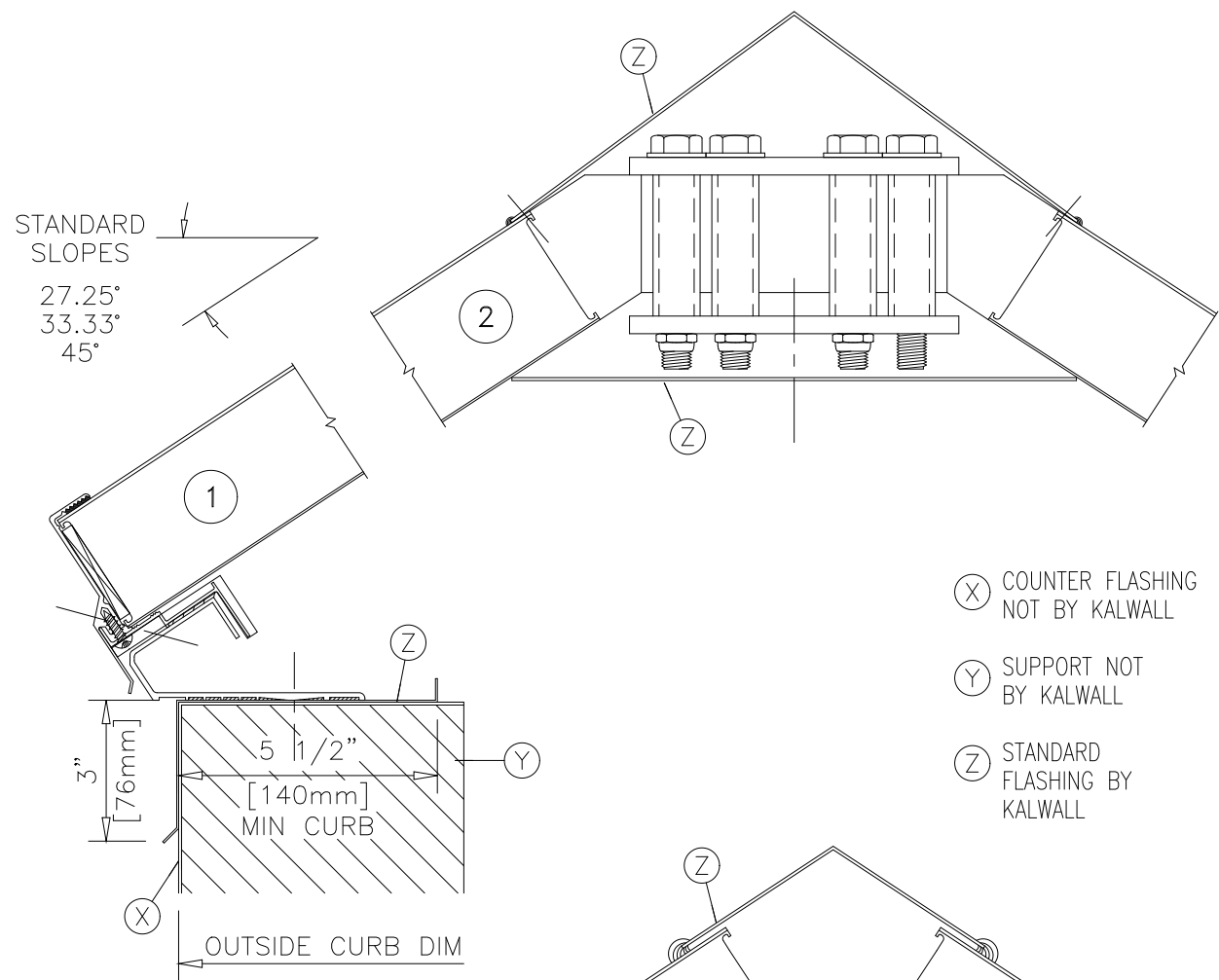
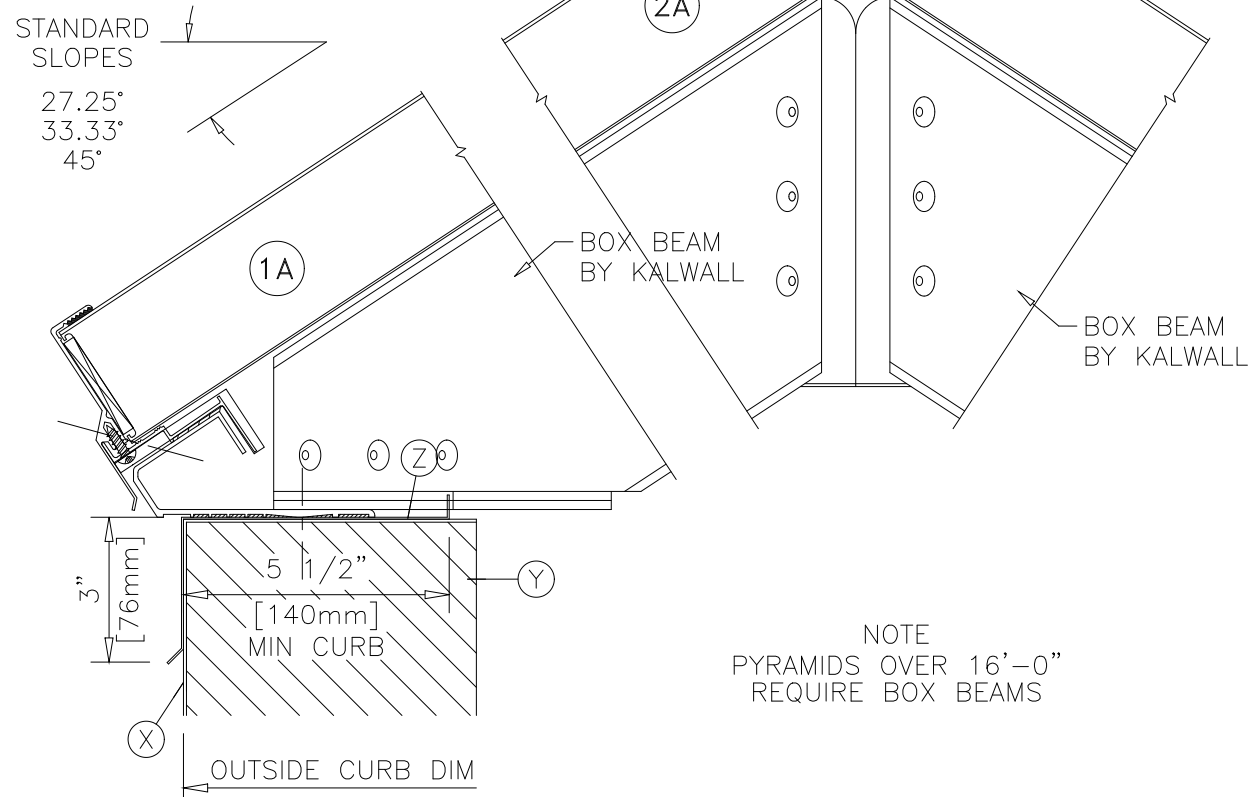


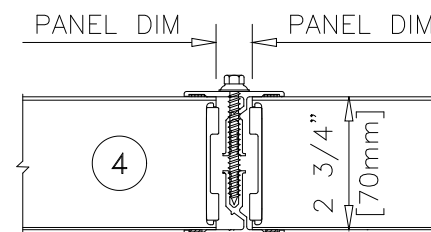
PYRAMIDS



ROOF PLAN



NOTE
PYRAMIDS OVER 16'-0"
REQUIRE BOX BEAMS



STANDARD SIZES
4'-0" TO 20'-0"
NOMINAL OUTSIDE
CURB DIMENSION
IN 1'-0" INCREMENTS